

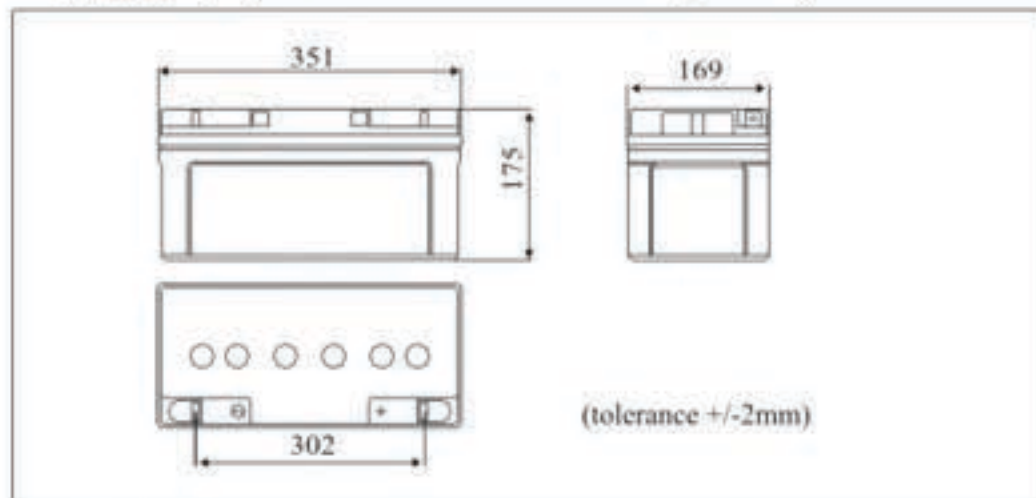
6GFM80 (12V80AH)

规格 Specifications

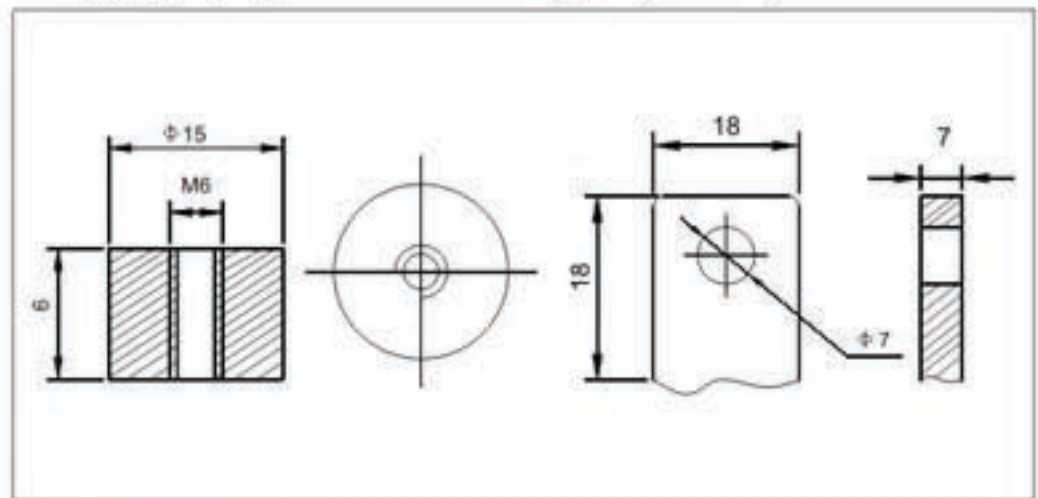
额定电压 容量	Nominal Voltage Nominal Capacity (10HR)	12V 80AH
外形尺寸 Dimension	长 Length	351±2mm (13.82 inches)
	宽 Width	166±2mm (6.53 inches)
	总高 Total Height	175±2mm (6.89 inches)
	Container Height	175±2mm (6.89 inches)
重量 (约) Weight		Approx 22Kg (48.4 lbs)



外形尺寸 Outer Dimensions (mm)



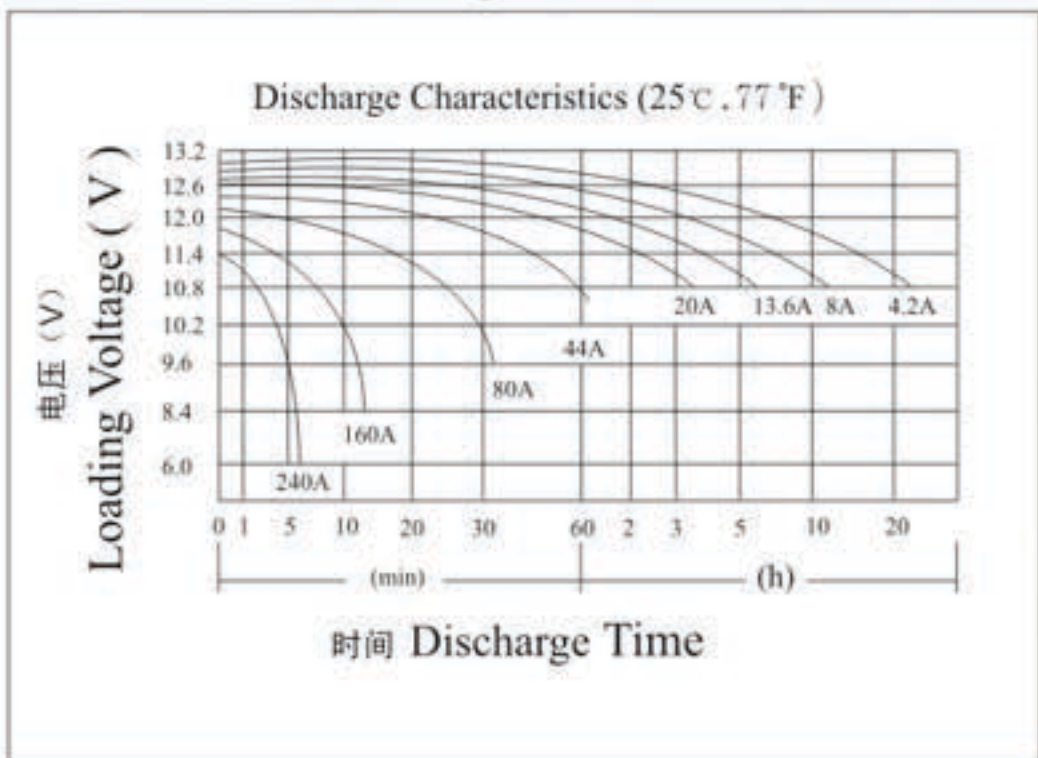
端子尺寸 Terminal Type (mm)



性能 Characteristics

容量 (25°C) Capacity	20小时率 20 hour rate (4.2A) 10小时率 10 hour rate (8.0A) 5小时率 5 hour rate (13.6A) 3小时率 3 hour rate (20.0A) 1小时率 1 hour rate (44.0A)	84.0Ah 80.0Ah 68.0Ah 60.0Ah 44.0Ah
不同温度下容量 Capacity affected by temperature	40°C (104°F) 25°C (77°F) 0°C (32°F)	102% 100% 85%
内阻 Internal Resistance	满荷电状态 (25°C, 77°F) 5mΩ Fully charged battery (25°C, 77°F) 5mΩ	
充电方式 Constant-Voltage Charge	循环使用 Cycle	恒压 14.10~14.40V, 初始电流小于32A Initial Charging Current less than 32A Voltage 14.10~14.40V at 25°C (77°F) Temperature Coefficient -18mV/°C
	浮充使用 Stand by	恒压 13.50~13.80V, 初始电流小于12A No limit on Initial Charging Current Voltage 13.50~13.80V at 25°C (77°F) Temperature Coefficient -18mV/°C

放电曲线 Discharge curves 25°C (77°F)



恒流(A)和恒功率(W)放电表(25°C)

Constant Current (Amp) and constant power (Watt) Discharge Table at 25°C (77°F)

Time		5min	10min	15min	30min	1h	2h	3h	4h	5h	8h	10h	20h
9.60V	A	296	216	152	92	48	28	20.6	16.0	13.2	9.3	8.4	4.54
	W	3143	2294	1614	977	556	324	238	185	153	108	97	52.5
10.20V	A	261	197	136	87.2	45.1	26.7	20.0	15.6	13.0	9.1	8.2	4.42
	W	2895	2184	1510	968	522	309	232	181	150	105	95	51.2
10.50V	A	251	187	128	85	44	26.1	19.5	15.4	12.8	9.0	8.0	4.37
	W	2849	2123	1451	962	506	302	226	178	148	105	94	50.6
10.80V	A	242	178	120	82	42	25.4	19.0	15.1	12.5	8.8	8.0	4.32
	W	2812	2067	1397	959	492	296	222	174	145	102	93	50.3
11.10V	A	232	168	112	80	41	24.8	18.4	14.7	12.2	8.6	7.6	4.10
	W	2761	1999	1333	952	486	295	219	173	145	102	90	48.8