

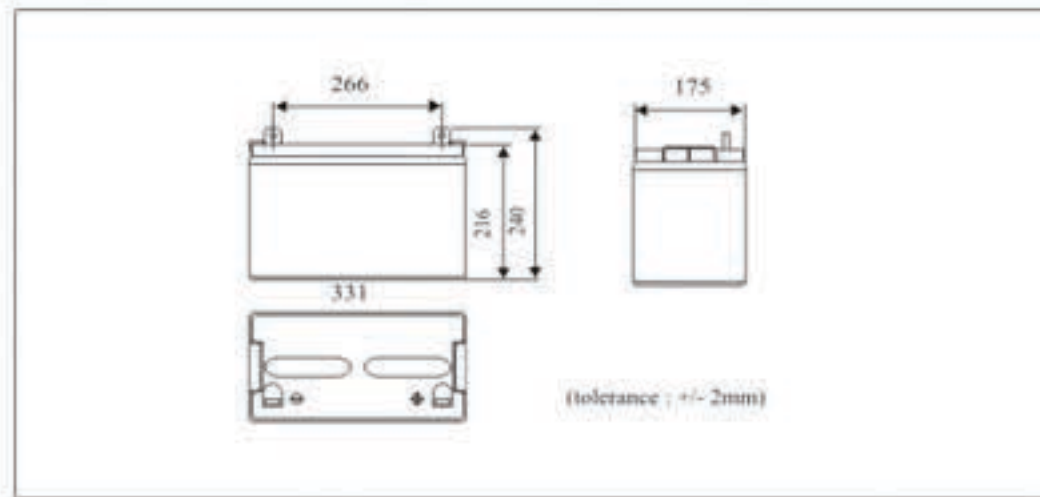
# 6GFM100A (12V100AH)

## 规格 Specifications

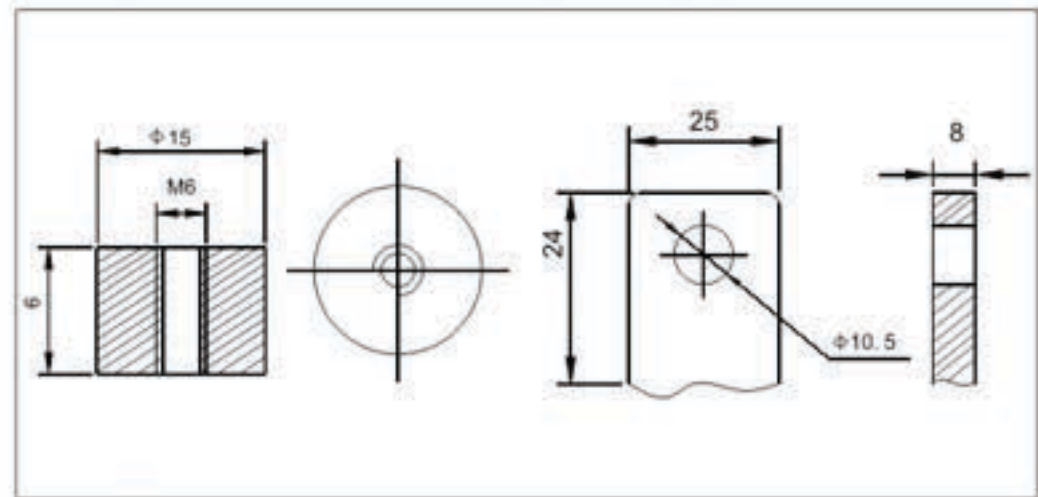
额定电压 容量	Nominal Voltage Nominal Capacity (10HR)	12V 100AH
外形尺寸 Dimension	长 Length	331±2mm (13.03 inches)
	宽 Width	175±2mm (6.89 inches)
	Container Height	216±2mm (8.50 inches)
	总高 Total Height	240±2mm (9.45 inches)
重量 (约) Weight		Approx 28Kg (66 lbs)



## 外形尺寸 Outer Dimensions ( mm )



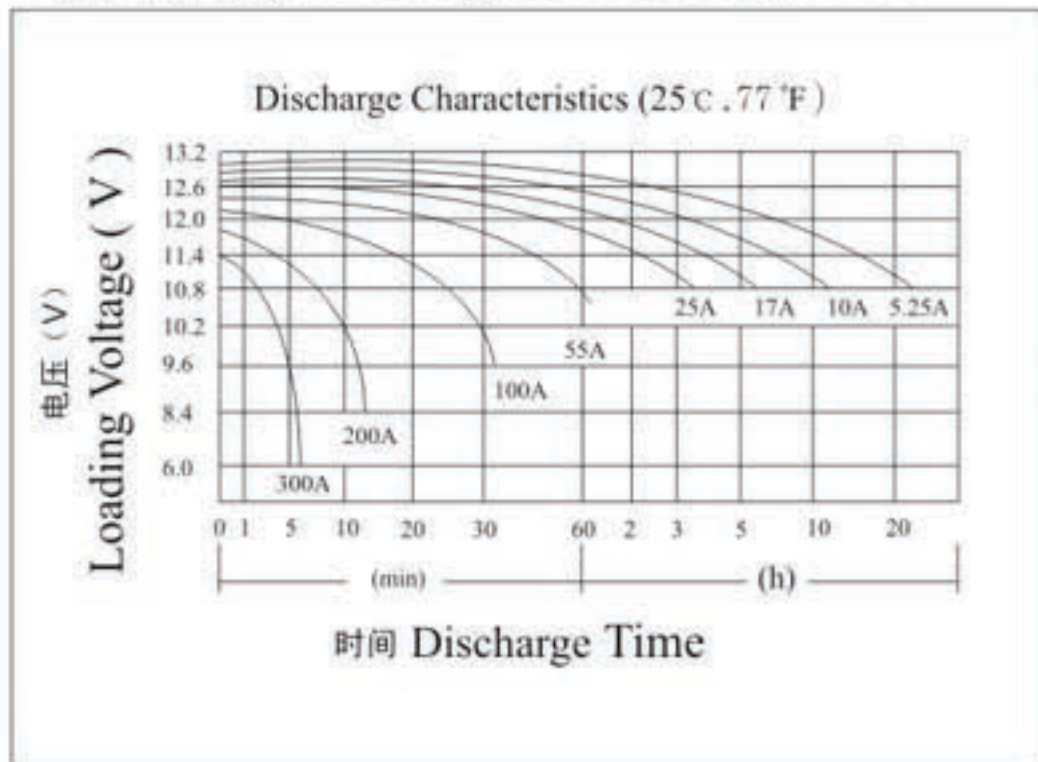
## 端子尺寸 Terminal Type ( mm )



## 性能 Characteristics

容量 (25°C) Capacity	20小时率 20 hour rate (5.25A) 10小时率 10 hour rate (10.0A) 5小时率 5 hour rate (17.0A) 3小时率 3 hour rate (25.0A) 1小时率 1 hour rate (55.0A)	105.0Ah 100.0Ah 85.0Ah 75.0Ah 55.0Ah
不同温度下容量 Capacity affected by temperature	40°C (104°F) 25°C (77°F) 0°C (32°F)	102% 100% 85%
内阻 Internal Resistance	满荷电状态 (25°C, 77°F) 5mΩ Fully charged battery (25°C, 77°F) 5mΩ	
充电方式 Constant-Voltage Charge	循环使用 Cycle	恒压14.10~14.40V,初始电流小于40A Initial Charging Current less than 40A Voltage 14.10~14.40V at 25°C (77°F) Temperature Coefficient -18mV/°C
	浮充使用 Stand by	恒压13.50~13.80V,初始电流小于15A No limit on Initial Charging Current Voltage 13.50~13.80V at 25°C (77°F) Temperature Coefficient -18mV/°C

## 放电曲线 Discharge curves 25°C (77°F)



## 恒流(A)和恒功率(W)放电表(25°C)

### Constant Current ( Amp ) and constant power ( Watt ) Discharge Table at 25°C ( 77°F )

Time		5min	10min	15min	30min	1h	2h	3h	4h	5h	8h	10h	20h
9.60V	A	370	270	190	115	60	35	25.7	20.0	16.5	11.6	10.5	5.67
	W	3929	2867	2018	1221	695	405	298	232	191	135	122	65.7
10.20V	A	326	246	170	109.0	56.4	33.4	25.0	19.5	16.2	11.4	10.2	5.53
	W	3619	2731	1887	1210	653	387	290	226	1501	132	119	64.0
10.50V	A	314	234	160	106	55	32.6	24.4	19.2	16.0	11.3	10.0	5.46
	W	3561	2654	1814	1202	632	378	283	222	185	131	117	63.2
10.80V	A	302	222	150	103	53	31.8	23.8	18.9	15.6	11.0	10.0	5.40
	W	3515	2584	1746	1199	615	370	277	218	182	128	116	62.9
11.10V	A	290	210	140	100	51	31.0	18.4	18.3	15.2	10.7	9.50	5.13
	W	3451	2499	1666	1190	607	369	274	217	181	127	113	61.0