

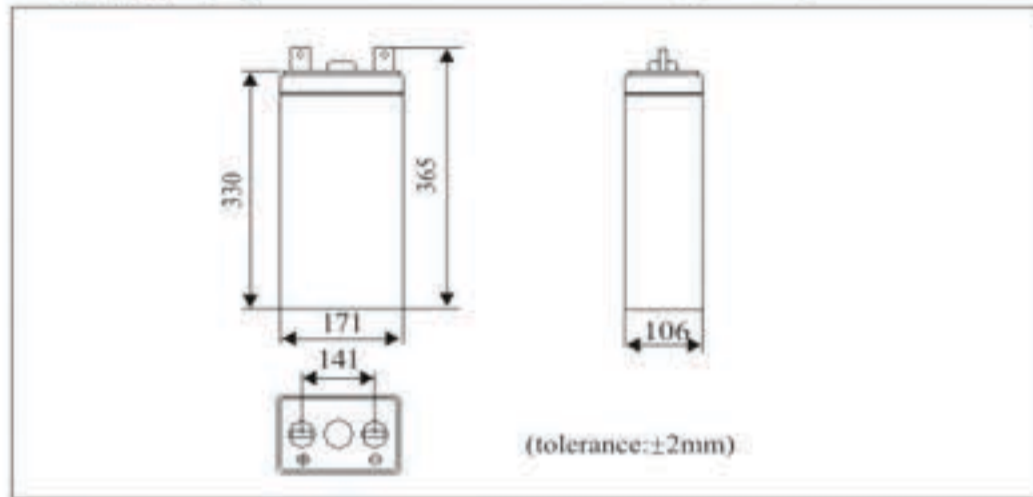
GFM200 (2V200AH)

规格 Specifications

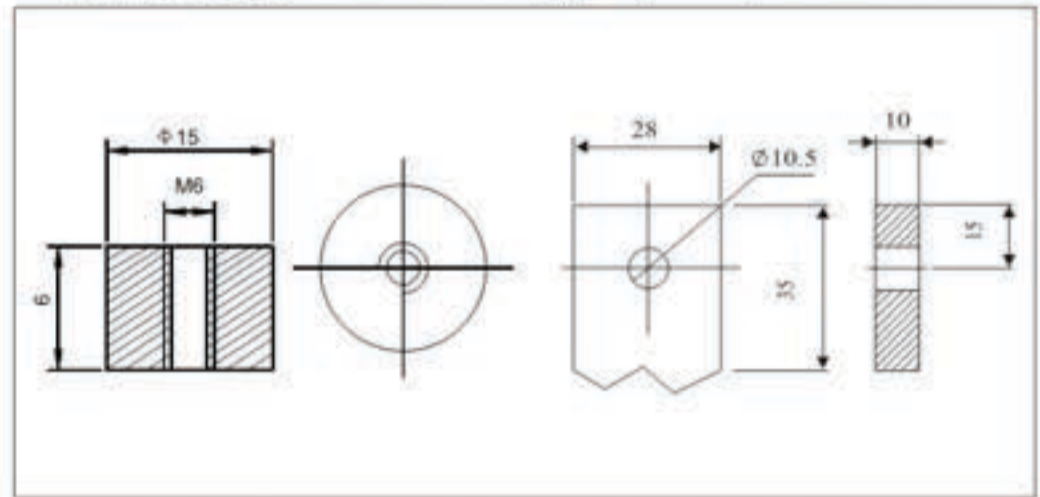
额定电压 容量	Nominal Voltage Nominal Capacity (10HR)	2V 200AH
外形尺寸 Dimension	长 Length	171±1mm (6.73 inches)
	宽 Width	106±1mm (4.17 inches)
总高 Total Height	Container Height	330±2mm (13.00 inches)
	Total Height	365±2mm (14.37 inches)
重量 (约) Weight		Approx 14Kg (31.92 lbs)



外形尺寸 Outer Dimensions (mm)



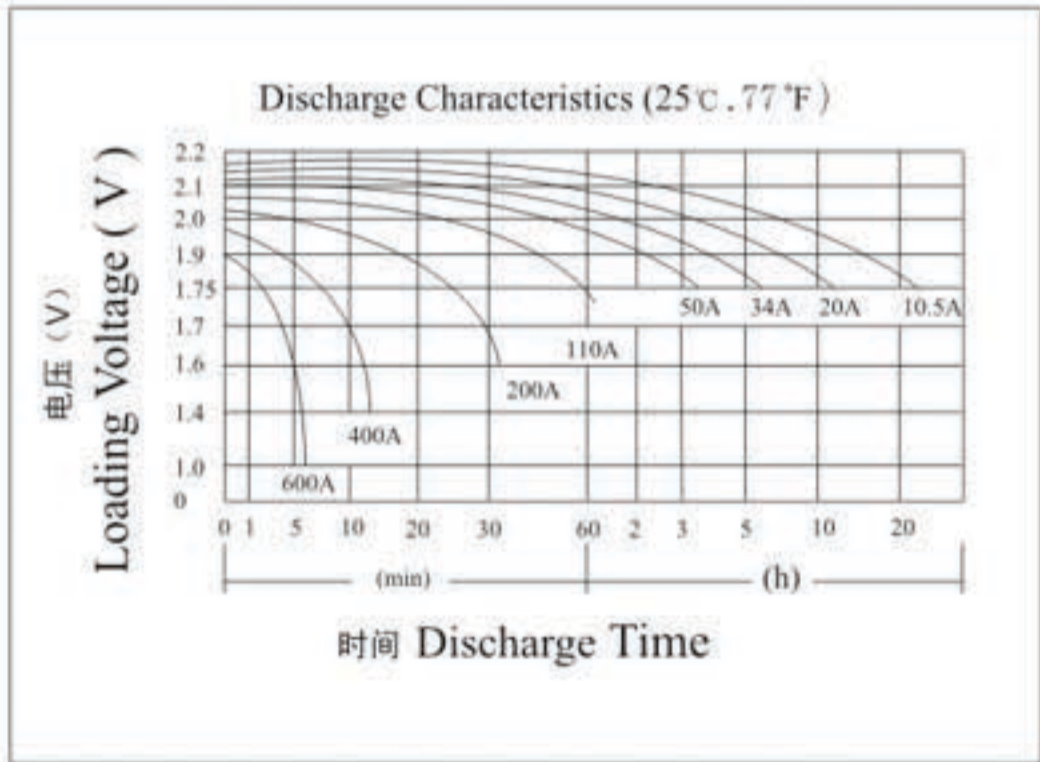
端子尺寸 Terminal Type (mm)



性能 Characteristics

容量 (25℃) Capacity	20小时率 20 hour rate (10.5A) 10小时率 10 hour rate (20A) 5小时率 5 hour rate (34A) 3小时率 3 hour rate (50A) 1小时率 1 hour rate (110A)	210Ah 200Ah 170Ah 150Ah 110Ah
不同温度下容量 Capacity affected by temperature	40℃ (104°F) 25℃ (77°F) 0℃ (32°F)	102% 100% 85%
内阻 Internal Resistance	满荷电状态 (25℃, 77°F) 1mΩ Fully charged battery (25℃, 77°F) 1mΩ	
充电方式 Constant-Voltage Charge	循环使用 Cycle	恒压2.30~2.35V,初始电流小于80A Initial Charging Current less than 80A Voltage 2.30~2.35V at 25℃ (77°F) Temperature Coefficient -3mV/℃
	浮充使用 Stand by	恒压2.22~2.26V,初始电流小于30A No limit on Initial Charging Current Voltage 2.22~2.26V at 25℃ (77°F) Temperature Coefficient -3mV/℃

放电曲线 Discharge curves 25℃ (77°F)



恒流(A)和恒功率(W)放电表(25℃)

Constant Current (Amp) and constant power (Watt) Discharge Table at 25℃ (77°F)

Time		5min	10min	15min	30min	1h	2h	3h	4h	5h	8h	10h	20h
1.60V	A	740	540	380	230	120	70	51	40	33	23	21	11.3
	W	1310	956	673	407	232	135	99	77	64	45	41	22
1.70V	A	652	492	340	218	113	67	50	39	32	23	20	11.1
	W	1206	910	629	403	218	129	97	75	63	44	40	21
1.75V	A	628	468	320	212	109	65	49	38	32	23	20	10.9
	W	1187	885	605	401	211	126	94	74	62	44	39	21
1.80V	A	604	444	300	206	106	64	48	38	31	22	20	10.8
	W	1172	861	582	400	205	123	92	73	61	43	39	21
1.85V	A	580	420	280	200	102	62	46	37	30	21	19	10.3
	W	1150	833	555	397	202	123	91	72	60	42	38	20