

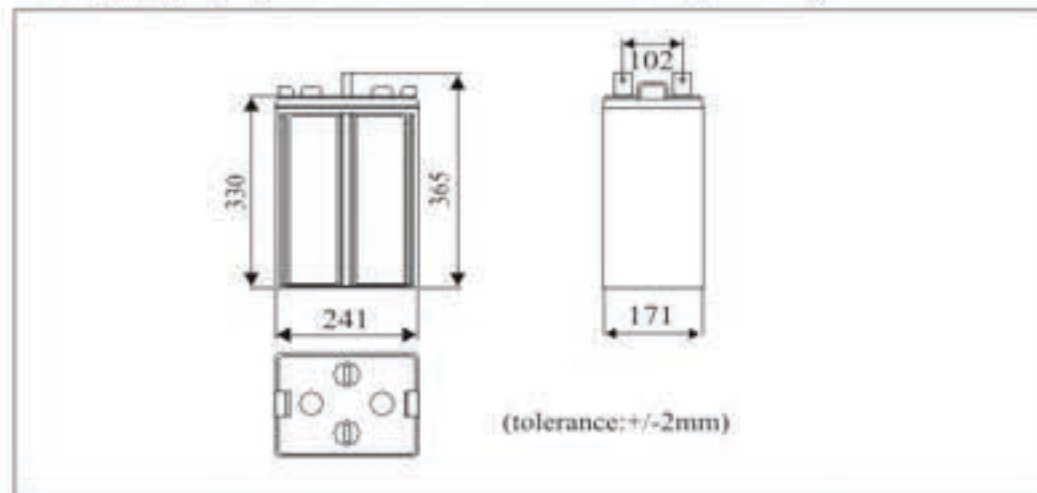
# GFM500 (2V500AH)

## 规格 Specifications

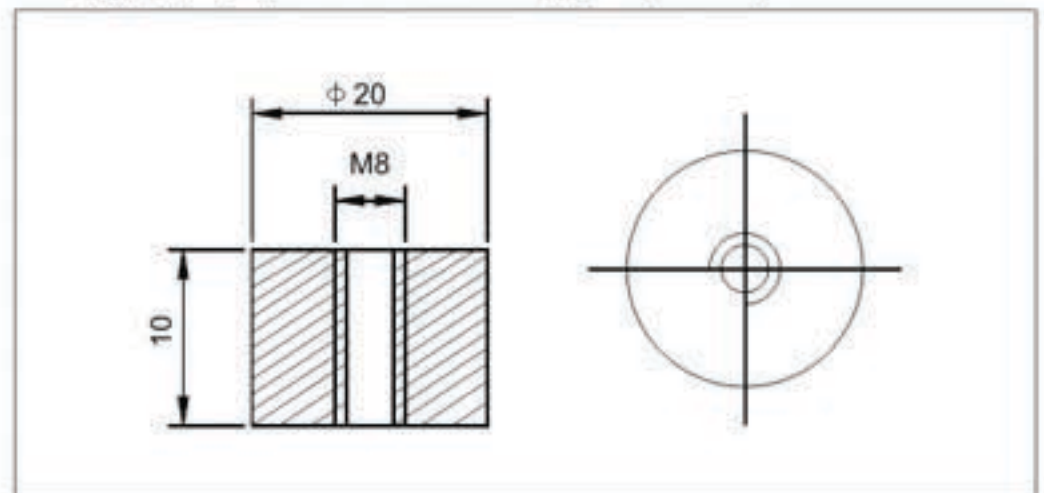
额定电压 容量	Nominal Voltage Nominal Capacity (10HR)	2V 500AH
外形尺寸 Dimension	长 Length	241±2mm (9.49 inches)
	宽 Width	171±2mm (6.73 inches)
	Container Height	330±2mm (13.00 inches)
	总高 Total Height	365±2mm (14.37 inches)
重量 (约) Weight	Approx 30Kg (66 lbs)	



## 外形尺寸 Outer Dimensions ( mm )



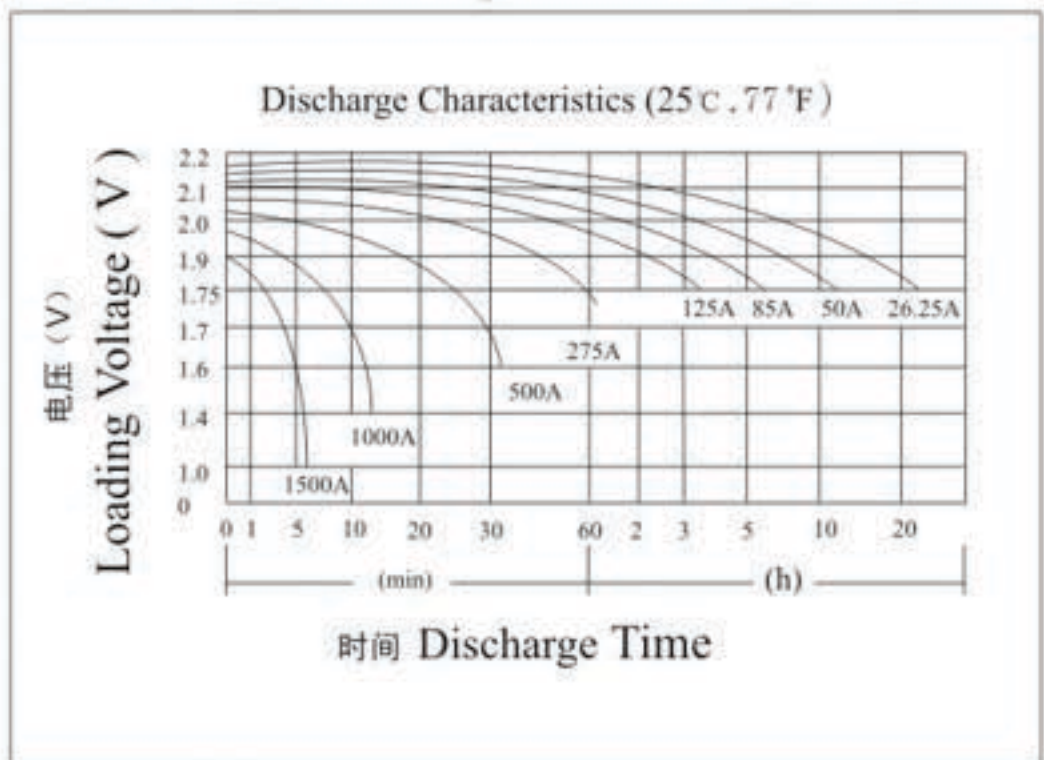
## 端子尺寸 Terminal Type ( mm )



## 性能 Characteristics

容量 (25℃) Capacity	20小时率 20 hour rate (26.25A) 10小时率 10 hour rate (50A) 5小时率 5 hour rate (85A) 3小时率 3 hour rate (125A) 1小时率 1 hour rate (275A)	525Ah 500Ah 425Ah 375Ah 275Ah
不同温度下容量 Capacity affected by temperature	40℃ (104°F) 25℃ (77°F) 0℃ (32°F)	102% 100% 85%
内阻 Internal Resistance	满荷电状态 (25℃, 77°F) 0.4mΩ Fully charged battery (25℃, 77°F) 0.4mΩ	
充电方式 Constant- Voltage Charge	循环使用 Cycle	恒压2.30~2.35V, 初始电流小于200A Initial Charging Current less than 200A Voltage 2.30~2.35V at 25℃ (77°F) Temperature Coefficient -3mV/℃
	浮充使用 Stand by	恒压2.22~2.26V, 初始电流小于75A No limit on Initial Charging Current Voltage 2.22~2.26V at 25℃ (77°F) Temperature Coefficient -3mV/℃

## 放电曲线 Discharge curves 25℃ (77°F)



## 恒流(A)和恒功率(W)放电表(25℃)

### Constant Current ( Amp ) and constant power ( Watt ) Discharge Table at 25℃ ( 77°F )

Time		5min	10min	15min	30min	1h	2h	3h	4h	5h	8h	10h	20h
1.60V	A	1850	1350	950	575	300	175	129	100	82.5	58.2	52.5	28.4
	W	3274	2390	1682	1018	579	338	248	193	159	112	101	54.7
1.70V	A	1630	1230	850	545	282	167	125	97.5	81.0	56.9	51.2	27.7
	W	3016	2276	1573	1008	544	322	241	188	156	110	98.8	53.4
1.75V	A	1570	1170	800	530	273	163	122	96.0	80.0	56.9	50.6	27.3
	W	2967	2211	1512	1002	527	315	235	185	154	109	97.7	52.7
1.80V	A	1510	1110	750	515	264	159	119	94.5	78.0	55.0	50.0	27.0
	W	2929	2153	1455	999	512	308	231	181	151	107	97.0	52.4
1.85V	A	1450	1050	700	500	255	155	115	91.7	76.0	53.5	47.5	25.7
	W	2876	2083	1388	992	506	307	228	181	151	106	94.2	50.9