

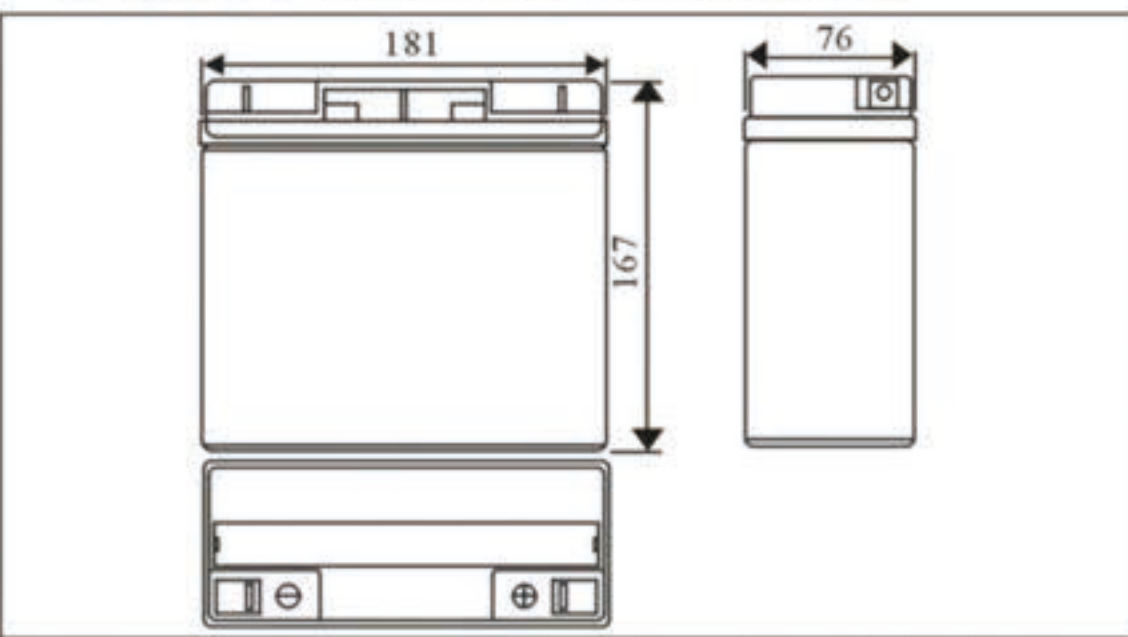
6FM20 (12V20AH)

规格 Specifications

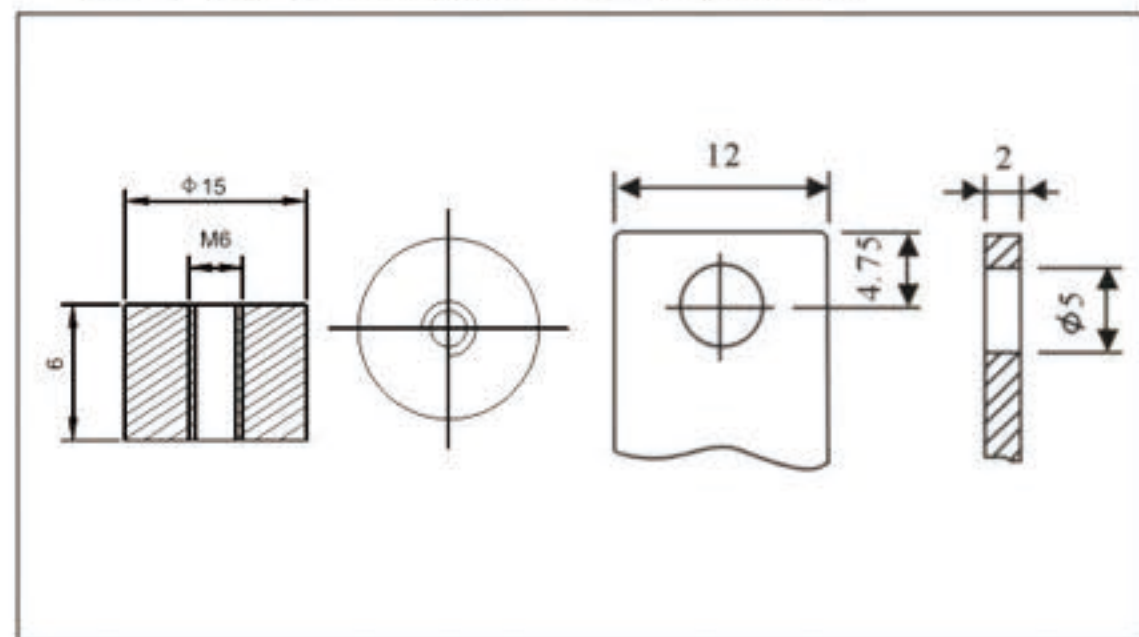
额定电压 容量 (20)	Nominal Voltage Nominal Capacity (20HR)	12V 20AH
外形尺寸 Dimension	长 Length	181±1mm
	宽 Width	76±1mm
	总高 Total Height	167±2mm
	Container Height	167±2mm
重量 (约) Weight		5.5Kg



外形尺寸 Outer Dimensions (mm)



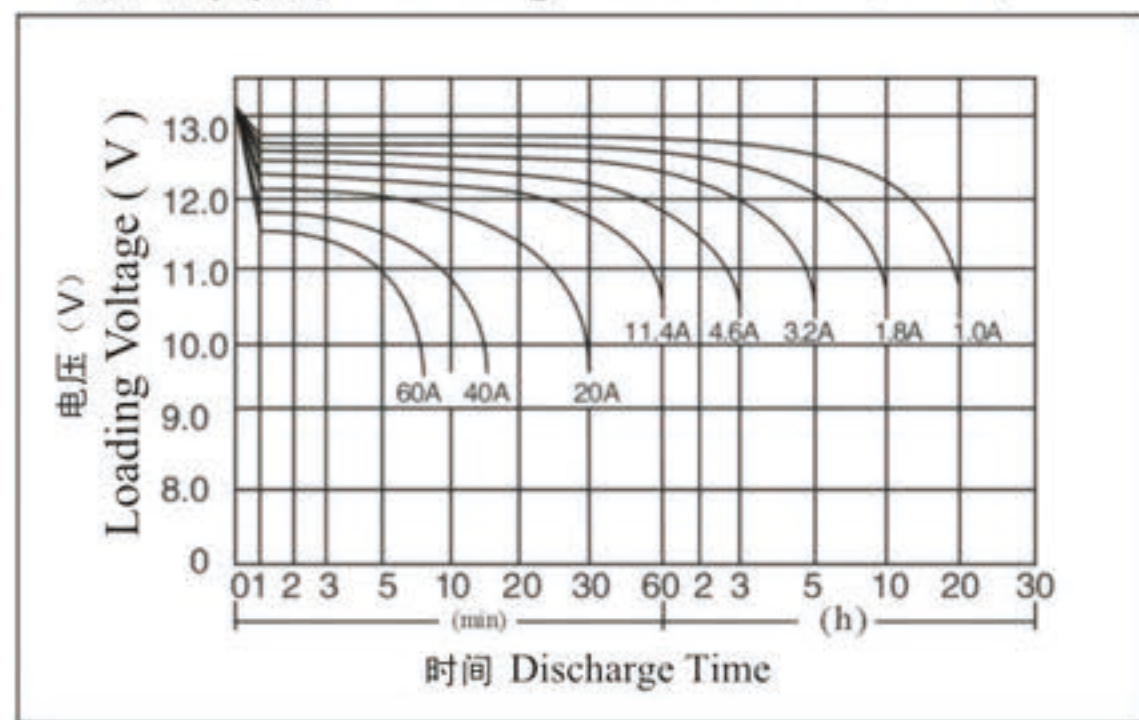
端子尺寸 Terminal Type (mm)



性能 Characteristics

容量 (25°C) Capacity	20小时率 20 hour rate (1.00A) 10小时率 10 hour rate (1.8) 5小时率 5 hour rate (3.2A) 1小时率 1 hour rate (11.4A)	20.0Ah 18.1Ah 16.2Ah 11.4Ah
不同温度下容量 Capacity affected by temperature	40°C (104°F) 25°C (77°F) 0°C (32°F)	105% 100% 85%
内阻 Internal Resistance	满荷电状态 (25°C, 77°F) 12mΩ Fully charged battery (25°C, 77°F) 12mΩ	
充电方式 Constant-Voltage Charge	循环使用 Cycle	恒压 14.4~15.0V, 初始电流小于 8.80A Initial Charging Current less than 8.80A Voltage 14.4~15.0V at 25°C (77°F) Temperature Coefficient -30mV/°C
	浮充使用 Stand by	恒压 13.50~13.8V, 初始电流小于 3.30A No limit on Initial Charging Current Voltage 13.5~13.8V at 25°C (77°F) Temperature Coefficient -20mV/°C

放电曲线 Discharge curves 25°C (77°F)



恒流(A)和恒功率(W)放电表(25°C)

Constant Current (Amp) and constant power (Watt) Discharge Table at 25°C (77°F)

Time		5min	10min	15min	30min	1h	2h	3h	4h	5h	8h	10h	20h
9.60V	A	80.00	54.00	38.00	23.00	12.00	7.00	5.15	4.13	3.51	2.32	1.89	1.03
	W	849.2	573.3	403.3	344.2	138.3	81.0	59.58	47.83	40.58	26.75	21.92	12.00
10.20V	A	72.00	49.17	34.17	21.83	11.27	6.72	5.00	4.00	3.44	2.28	1.86	1.01
	W	799.2	545.0	379.2	242.5	130.0	77.8	57.92	46.33	39.83	26.33	21.50	11.67
10.50V	A	68.08	46.80	32.00	21.17	10.90	6.58	4.92	3.80	3.40	2.25	1.84	1.00
	W	771.7	530.0	362.5	240.0	126.2	76.3	56.92	44.00	39.58	26.08	21.33	11.58
10.80V	A	63.33	44.33	30.00	20.58	10.53	6.42	4.83	3.73	3.25	2.19	1.79	0.98
	W	736.7	515.0	349.2	239.2	122.5	74.7	56.25	43.46	37.83	25.00	20.83	11.33
11.10V	A	60.00	42.00	28.00	20.00	10.17	6.25	4.58	3.67	3.11	2.13	1.75	0.95
	W	714.2	449.2	332.5	237.5	120.8	74.2	54.58	43.33	37.00	24.17	20.42	11.25