

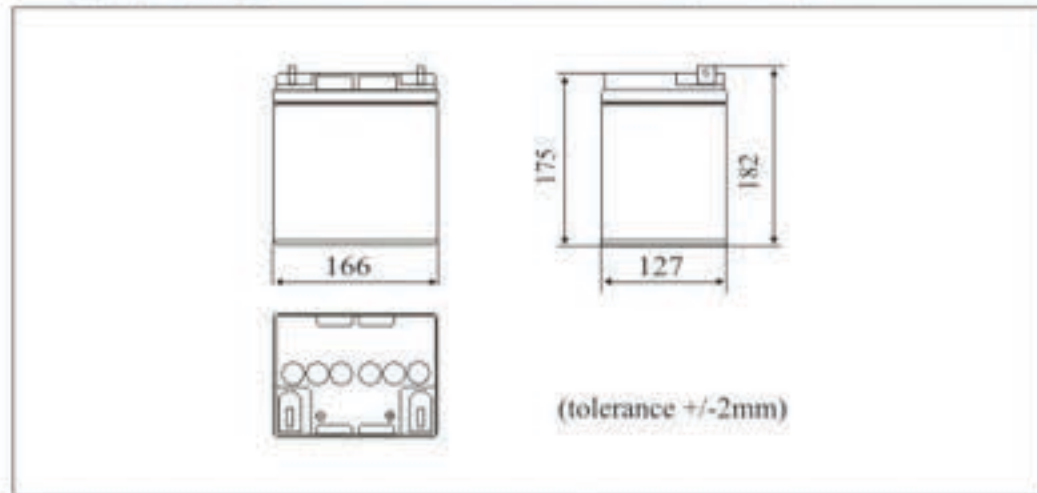
6GFM28-12 (12V28AH)

规格 Specifications

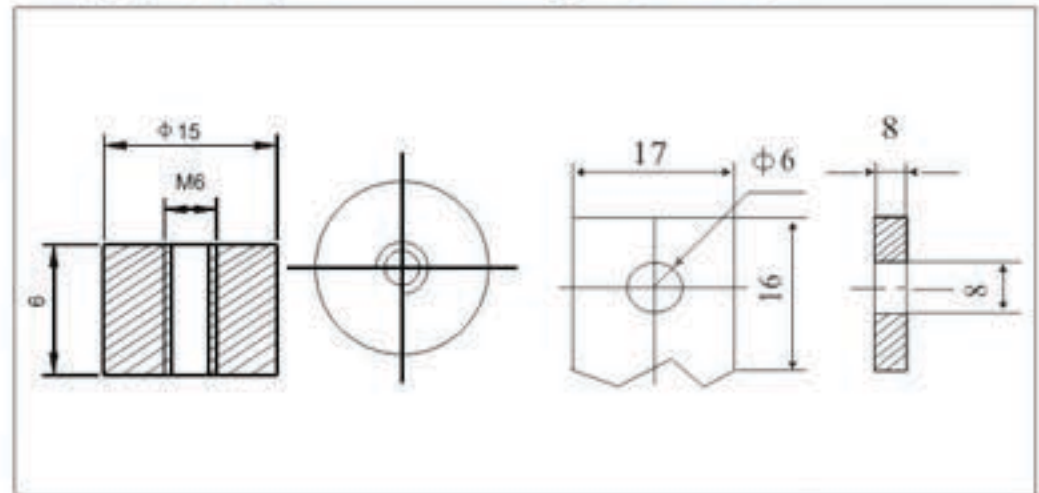
额定电压 容量	Nominal Voltage Nominal Capacity (10HR)	12V28AH
外形尺寸 Dimension	长 Length	166±1mm (6.54 inches)
	宽 Width	127±1mm (6.93 inches)
	Container Height	182±2mm (5.04 inches)
	总高 Total Height	182±2mm (5.04 inches)
重量 (约) Weight		8.5kg



外形尺寸 Outer Dimensions (mm)



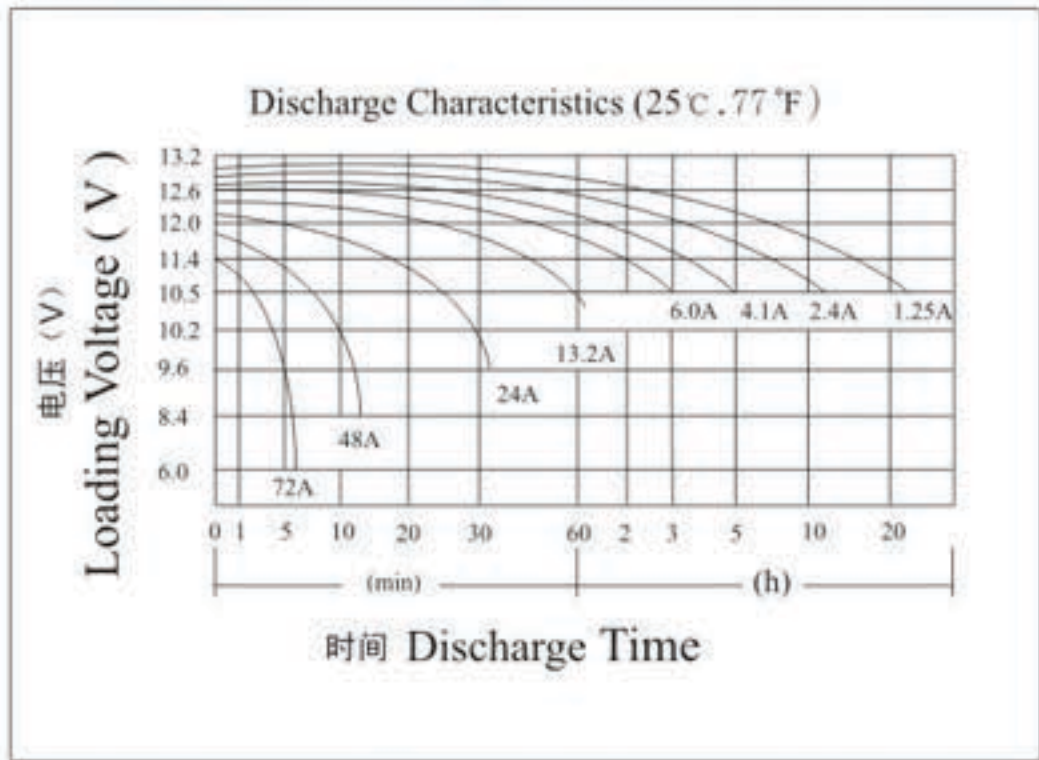
端子尺寸 Terminal Type (mm)



性能 Characteristics

容量 (25°C) Capacity	20小时率 20 hour rate (1.25A) 10小时率 10 hour rate (2.4A) 5小时率 5 hour rate (4.1A) 3小时率 3 hour rate (6.0A) 1小时率 1 hour rate (13.2A)	28.0Ah 24.0Ah 20.5Ah 18.0Ah 13.2Ah
不同温度下容量 Capacity affected by temperature	40°C (104°F) 25°C (77°F) 0°C (32°F)	102% 100% 85%
内阻 Internal Resistance	满荷电状态 (25°C, 77°F) 10mΩ Fully charged battery (25°C, 77°F) 10mΩ	
充电方式 Constant-Voltage Charge	循环使用 Cycle	恒压14.10~14.40V, 初始电流小于9.60A Initial Charging Current less than 9.60A Voltage 14.10~14.40V at 25°C (77°F) Temperature Coefficient -18mV/°C
	浮充使用 Stand by	恒压13.50~13.80V, 初始电流小于3.60A No limit on Initial Charging Current Voltage 13.50~13.80V at 25°C (77°F) Temperature Coefficient -18mV/°C

放电曲线 Discharge curves 25°C (77°F)



恒流(A)和恒功率(W)放电表(25°C)

Constant Current (Amp) and constant power (Watt) Discharge Table at 25°C (77°F)

Time		5min	10min	15min	30min	1h	2h	3h	4h	5h	8h	10h	20h
9.60V	A	96.00	64.80	45.60	27.60	14.40	8.40	6.18	4.96	4.21	2.78	2.27	1.24
	W	1019	688.0	484.0	293.0	166.0	97.2	71.50	57.40	48.70	32.10	26.30	14.40
10.20V	A	86.40	59.00	41.00	26.20	13.52	8.06	6.00	4.80	4.13	2.73	2.23	1.21
	W	959.0	654.0	455.0	291.0	156.0	93.3	69.50	55.60	47.80	31.60	25.80	14.00
10.50V	A	81.70	56.16	38.40	25.40	13.08	7.90	5.90	4.56	4.10	2.70	2.20	1.20
	W	926.0	636.0	435.0	288.0	151.4	91.5	68.30	52.80	47.50	31.30	25.60	13.90
10.80V	A	76.00	53.20	36.00	24.70	12.64	7.70	5.80	4.48	3.90	2.63	2.15	1.17
	W	884.0	618.0	419.0	287.0	147.0	89.6	67.50	52.15	45.40	30.00	25.00	13.60
11.10V	A	72.00	50.40	33.60	24.00	12.20	7.50	5.50	4.40	3.73	2.56	2.10	1.14
	W	857.0	599.0	399.0	285.0	145.0	89.0	65.50	52.00	44.40	29.00	24.50	13.50